



PERVATECH[®]

Datasheet

LAB SCALE MODULE FSTC-049

The stainless steel FSTC-049 lab scale module is designed to hold one flat sheet membrane for use in pervaporation or vapor permeation applications.

MODULE DATA

Module housing material	SS316
Module dimensions	280 x 130 x 60 mm (see figure)
Feed connection	1/4" female NPT
Retentate connection	1/4" female NPT
Permeate connection	1/2" female NPT
Sealing of membranes	O-ring 177.4 x 3.53 mm, Viton (standard) O-ring 152 x 3.53 mm, Viton (standard)

MEMBRANE DATA

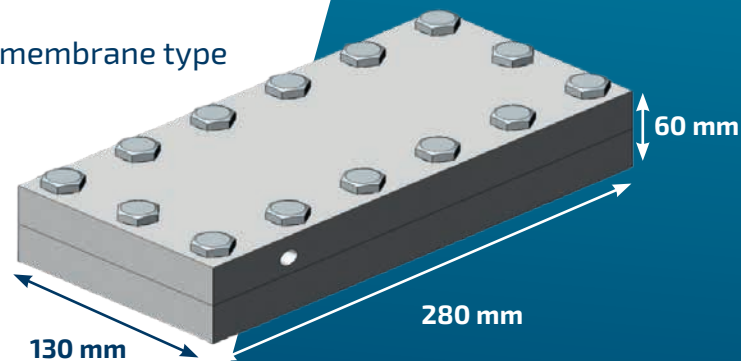
Standard membranes	PDMS, POMS or PEBA (see membrane datasheets)
Membrane surface area	0.0089 m ²
Membrane flow area	0.8 x 5 cm

OPERATIONAL WINDOW

Process pressure	Maximum 10 bar
Process temperature	Maximum 150 °C, depending on membrane and O-ring type
Vacuum	1 mbar
Feed pump capacity	Depending on membrane type

CLEANING

Use general cleaning products for SS316.
Further depending on membrane and sealing.



Heliumstraat 11
7463 PL Rijssen
The Netherlands
T +31 548 530 360
info@pervatech.nl
pervatech.com

 PERVATECH[®]