



# PERVATECH<sup>®</sup>

## Datasheet

### LAB SCALE MODULE FSTC-050

The stainless steel FSTC-050 lab scale module is designed to hold one A4 size flat sheet membrane for use in pervaporation or vapor permeation applications.

#### MODULE DATA

Module housing material	SS316
Module dimensions	380 x 280 x 60 mm (see figure)
Feed connection	1/2" female NPT
Retentate connection	1/2" female NPT
Permeate connection	2x 1/2" female NPT
Sealing of membranes	O-ring 345.19 x 3.53 mm, Viton (standard) O-ring 304.39 x 3.53 mm, Viton (standard)

#### MEMBRANE DATA

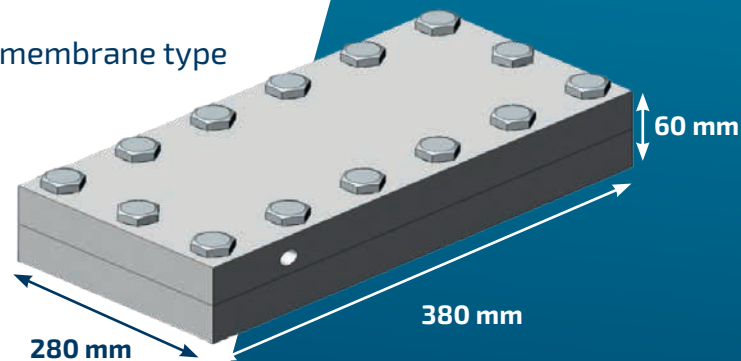
Standard membranes	PDMS, POMS or PEBA (see membrane datasheets)
Membrane surface area	0.054 m <sup>2</sup>
Membrane flow area	0.8 x 19.6 cm

#### OPERATIONAL WINDOW

Process pressure	Maximum 10 bar
Process temperature	Maximum 150 °C, depending on membrane and O-ring type
Vacuum	1 mbar
Feed pump capacity	Depending on membrane type

#### CLEANING

Use general cleaning products for SS316.  
Further depending on membrane and sealing.



Heliumstraat 11  
7463 PL Rijssen  
The Netherlands  
T +31 548 530 360  
info@pervatech.nl  
pervatech.com

 PERVATECH<sup>®</sup>